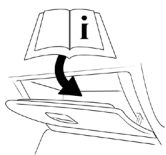
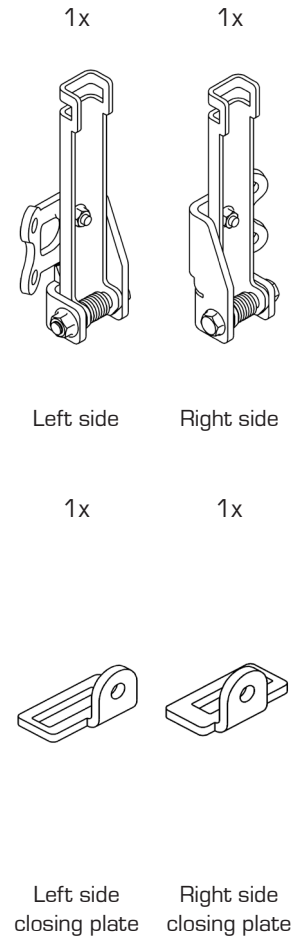
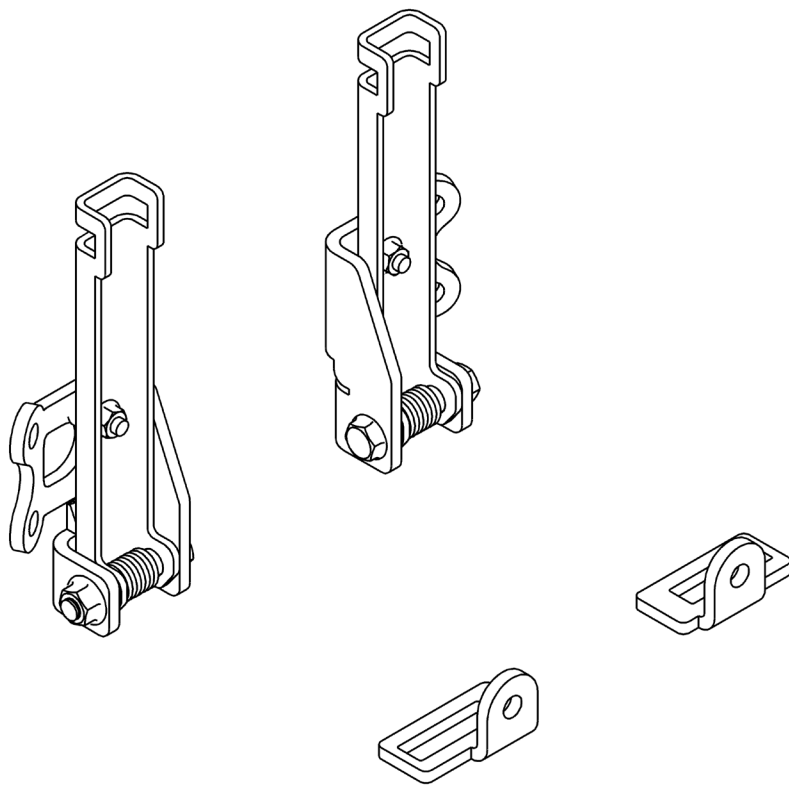


Door blocking set - Mounting manual

40.2501 - Door Blocking set - Custom '24- VW T7 '25-



Carefully checked by: _____

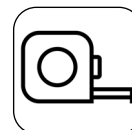
Packaging Date: _____



sales@q-top.org

+31 (0)78-62 99 279

13 - M8
T29 Nm

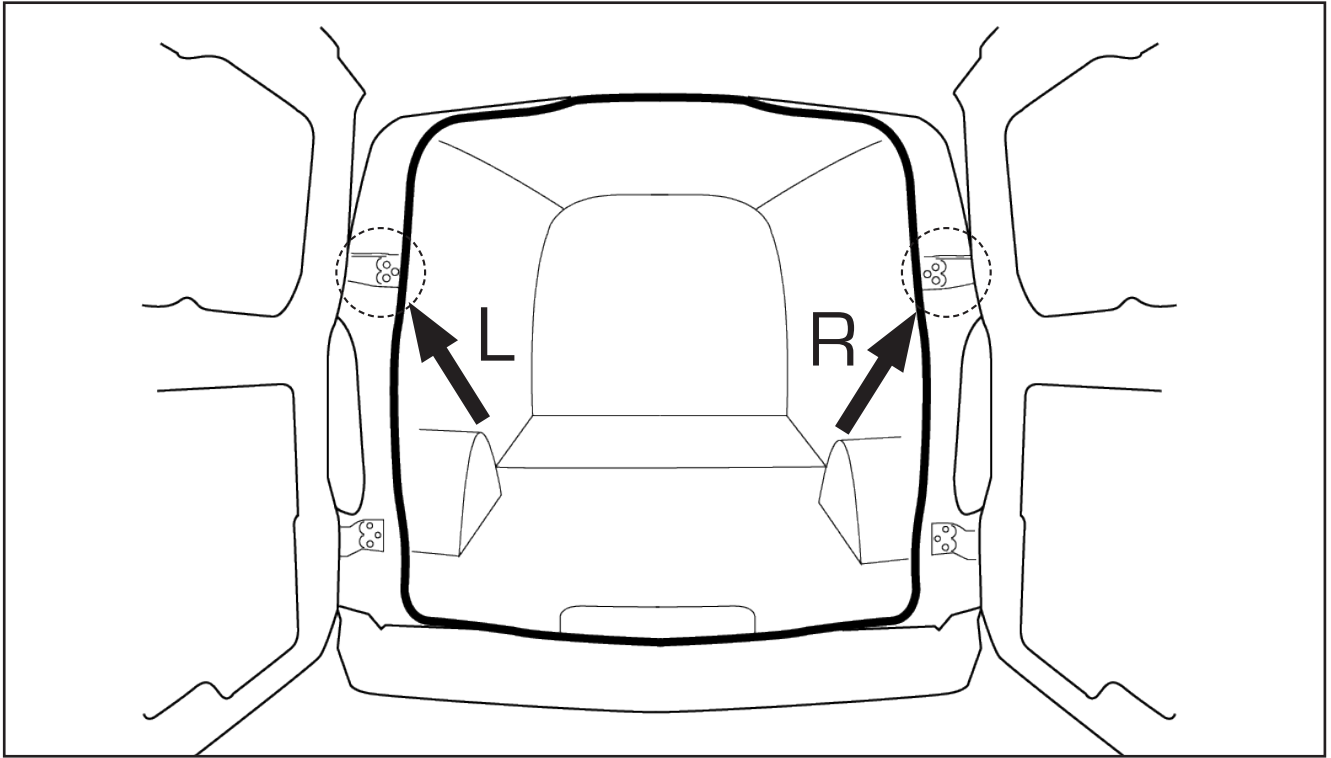


Aan alle technische tekeningen kunnen geen rechten worden ontleend, maatvoering kan afwijken van de realiteit.
No rights can be derived from these technical drawings, sizes may differ from reality.
Aucuns droits ne peuvent être dérivés de tous les dessins, dimensions peuvent

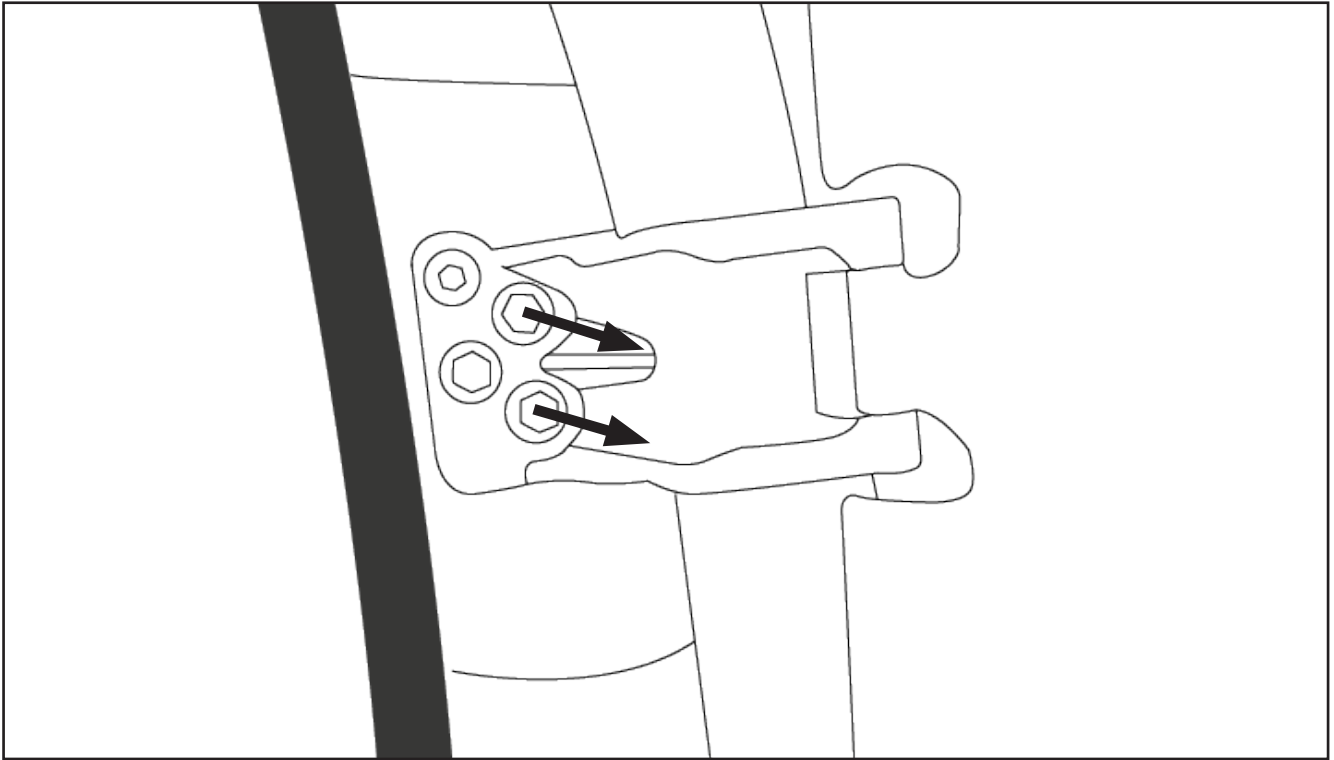


1

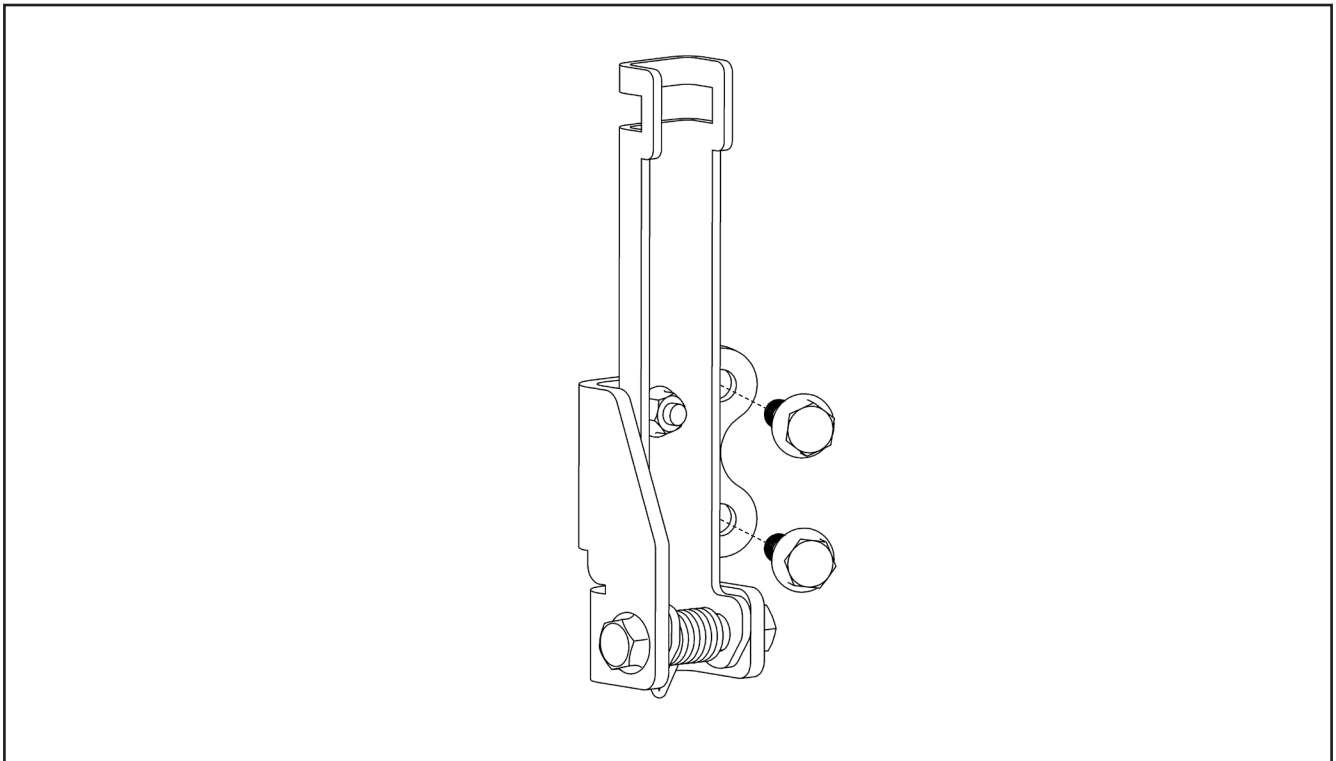
Locate top hinges



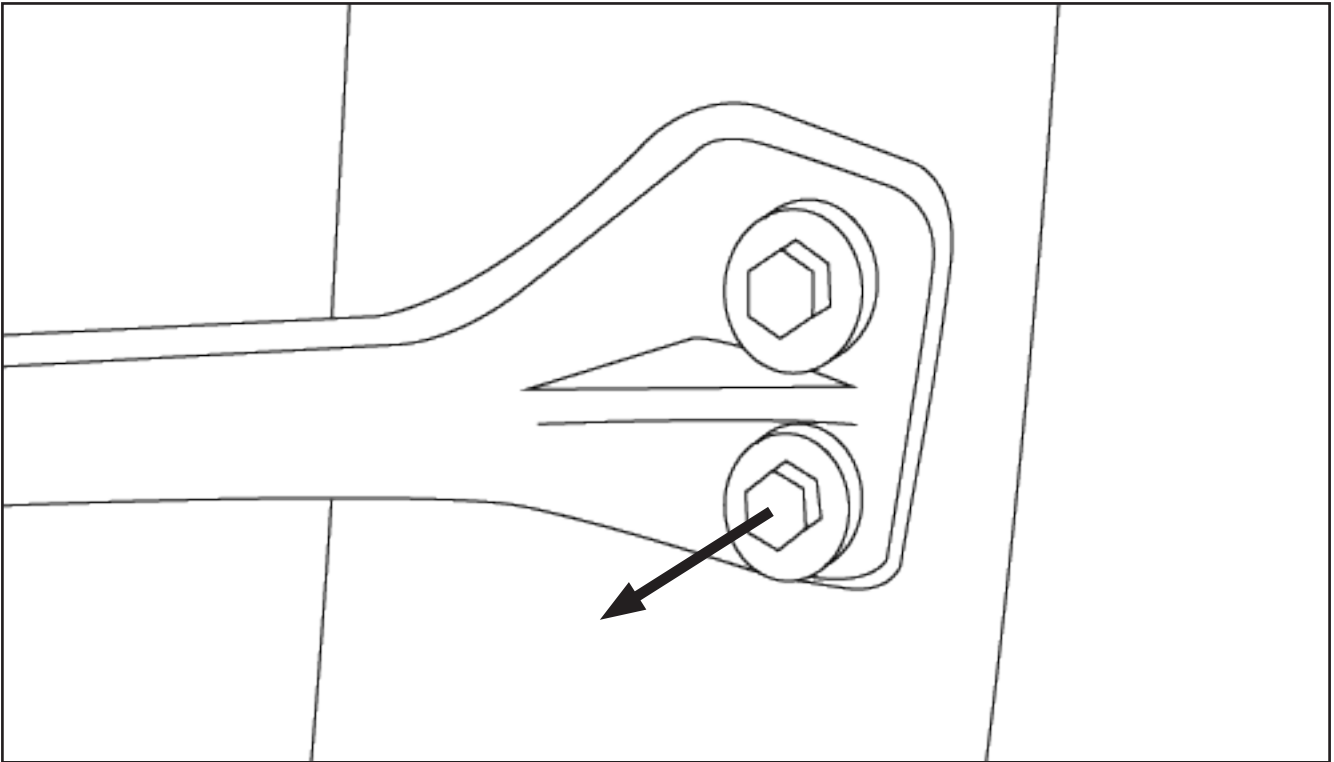
Remove bolts from hinge



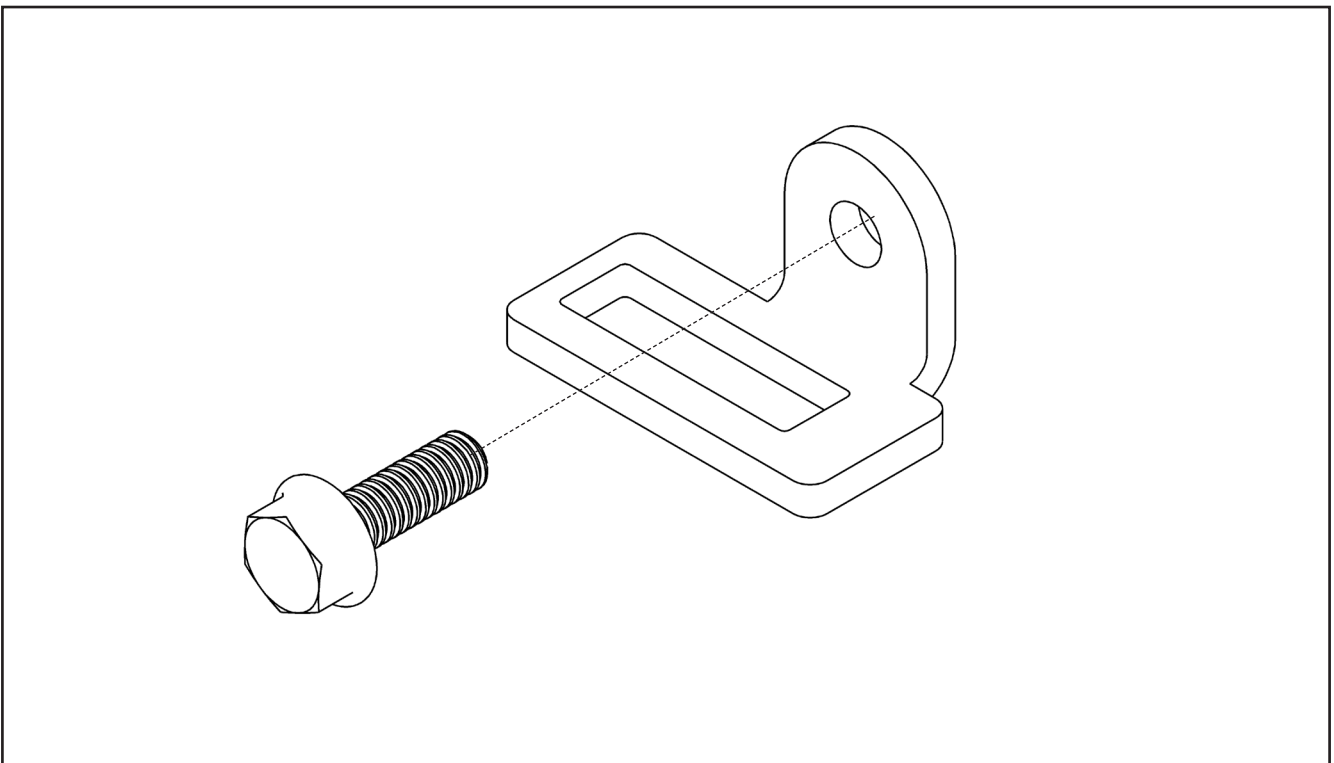
Place doorstopper with original bolts



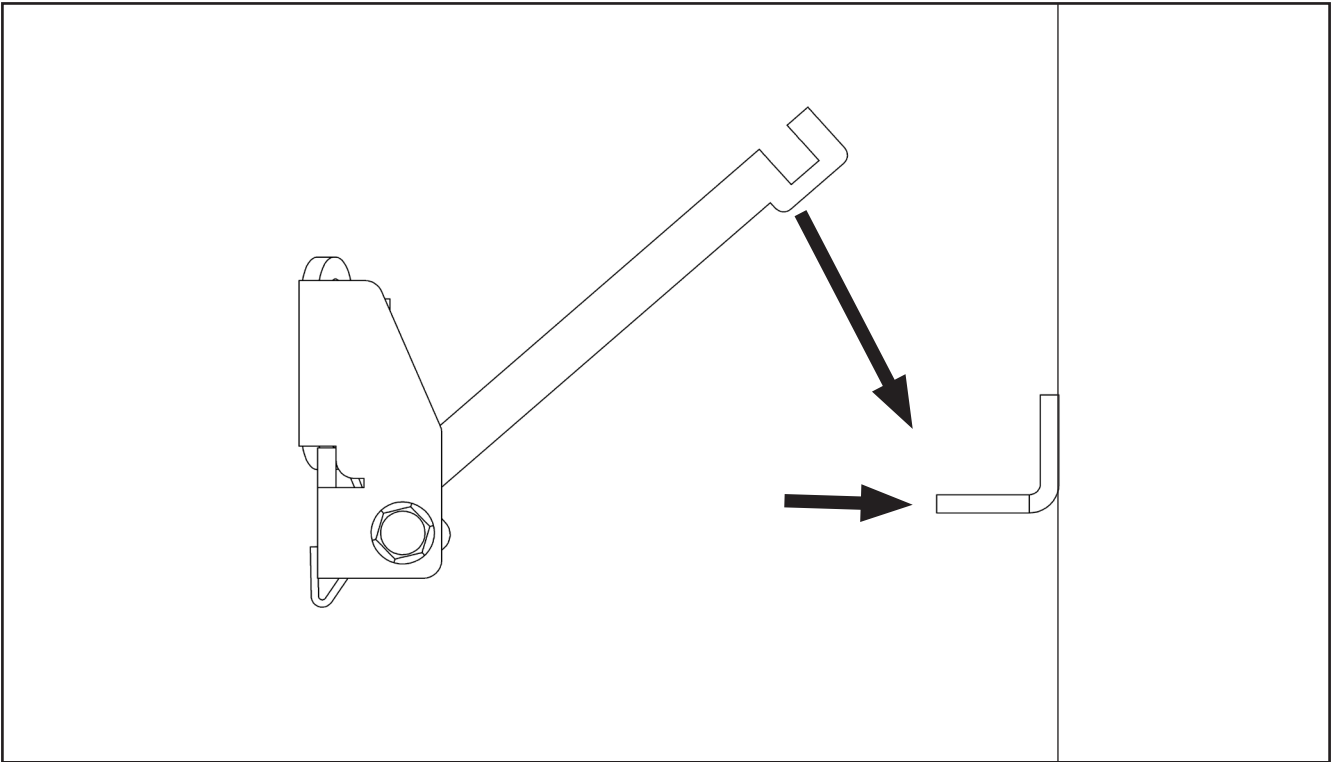
Remove lower bolt on door



Place closing plate with original bolt



Open door slightly to make space and lower arm



Hook arm in closing plate from below

